

X
0
Y²
0
M

$X + 0 + Y^2 0M^{HZ}$
 $X + 0 + Y^2$

JBL

CONTROL 1X
CONTROL MONITOR LOUDSPEAKER

Extreme

THANK YOU FOR CHOOSING JBL

For more than 50 years, JBL has been involved in every aspect of music and film recording and reproduction, from live performances to the recordings you play in your home, car or office.

We're confident that the JBL loudspeakers you have chosen will provide every

note of enjoyment that you expected – and that when you think about purchasing additional audio equipment for your home, car or office, you will once again choose JBL.

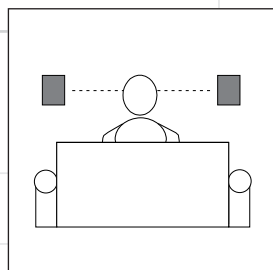
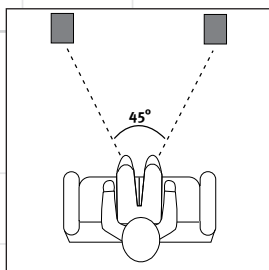
Please take a moment to complete the enclosed profile card. It enables us to keep you posted on our latest

advancements, and helps us to better understand our customers and build products that meet their needs and expectations.

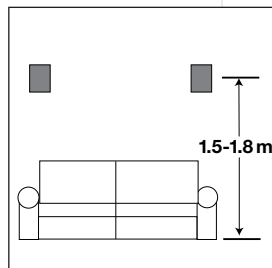
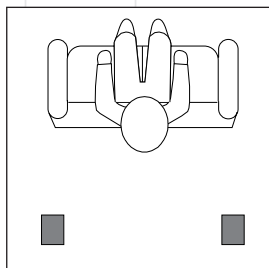
JBL Consumer Products

SPEAKER PLACEMENT

As front speakers.
(The Control 1Xtreme speakers are video-shielded, and may be placed near a television or video monitor.)



As rear speakers.



WALL-MOUNTING

The Control 1Xtreme loudspeakers may be wall-mounted. This product is not intended for ceiling mounting. Optional wall-mount brackets are available from JBL.

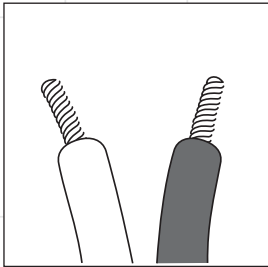
Please contact your dealer, call 1-800-336-4JBL or visit our Web site at www.jbl.com for a dealer near you.

SPEAKER CONNECTIONS

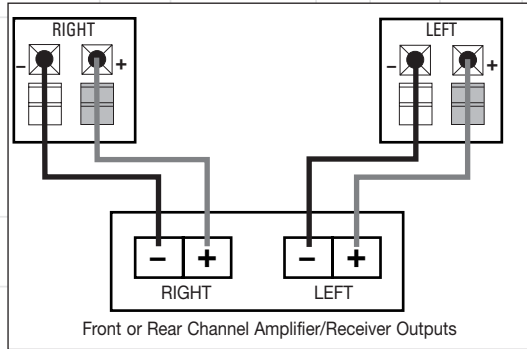
Speakers and electronics terminals have corresponding (+) and (-) terminals. It is important to connect both

speakers identically: (+) on the speaker to (+) on the amplifier and (-) on the speaker to (-) on the amplifier. Wiring “out of

phase” results in thin sound, weak bass and a poor stereo image.



Wires



Connections

TROUBLESHOOTING

If there is no sound from any of the speakers:

- Check that the receiver/ amplifier is on and a source is playing.
- Review proper operation of your receiver/amplifier.

If there is no sound coming from one speaker:

- Check the Balance control on your receiver/amplifier.
- Check all wires and connections between receiver/ amplifier and speakers.
- Make sure all wires are connected. Make sure none of the speaker wires are frayed, cut or punctured.

If the system plays at low volumes but shuts off as volume is increased:

- Check all wires and connections between receiver/ amplifier and speakers.
- Make sure all wires are connected. Make sure none of the speaker wires are frayed, cut or punctured.
- If more than one pair of speakers is being used, check the minimum impedance requirements of your receiver/amplifier.

If there is no (or low) bass output:

- Make sure the polarities (+ and -) of the left and right Speaker Inputs are connected properly.



SPECIFICATIONS

Control 1Xtreme

Low-Frequency Driver: 4" (100mm), Shielded

High-Frequency Driver: 1/2" (12mm) Titanium-laminate, shielded

Frequency Response: 80Hz – 20kHz

Crossover Frequency: 4,000Hz

Recommended Amplifier Power Range: 10 – 80 Watts RMS*

Sensitivity: 89dB

Nominal Impedance: 8 Ohms

Dimensions (H x W x D): 9" x 6-1/16" x 5-7/16"
228mm x 155mm x 139mm

Weight (each): 5.2 lb/2.4kg

* The maximum recommended amplifier power rating will ensure proper system headroom to allow for occasional peaks. We do not recommend sustained operation at these maximum power levels.

All features and specifications are subject to change without notice.

Notice to Purchaser: JBL assumes no responsibility or liability for injuries or property damage – direct, indirect or consequential – resulting from the improper installation of Control 1Xtreme loudspeakers.



We, Harman Consumer International
2, route de Tours
72500 Chateau-du-Loir
France

declare in own responsibility, that the
product described in this owner's manual is
in compliance with technical standards:

EN 50081-1:1992
EN 50082-1:1997



Luc E. Godard
Harman Consumer International
Chateau-du-Loir, France, 1702

OWNER'S GUIDE

PRODUCT LINE: CONTROL® SERIES

MODEL NUMBERS: Control 1Xtreme

DESIGN GOAL: Bring the thrill of live performance and movie sound to the home environment by calling on JBL's professional engineering leadership.

TWEETER TYPE: Titanium-laminate dome

WOOFER TYPE: Shielded cone

CROSSOVER NETWORK: Straight-Line Signal Path™ (SSP)

ENCLOSURE DESIGN: Bass reflex

PROFESSIONAL REFERENCE: Studio Monitor



**PRO SOUND
COMES HOME™**

JBL Consumer Products
250 Crossways Park Drive, Woodbury, NY 11797
8500 Balboa Boulevard, Northridge, CA 91329
800-336-4JBL (4525) (USA only)
www.jbl.com

©2002 JBL, Incorporated. JBL is a registered trademark of JBL, Incorporated.

Part No. C10032X 

 A Harman International Company